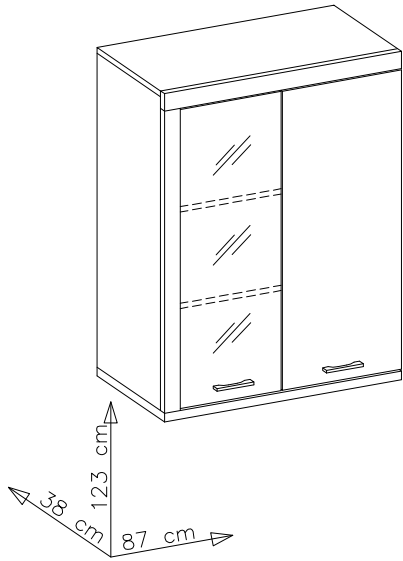
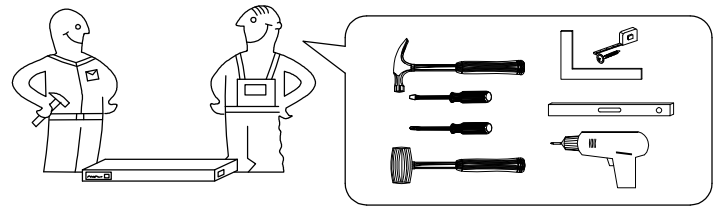
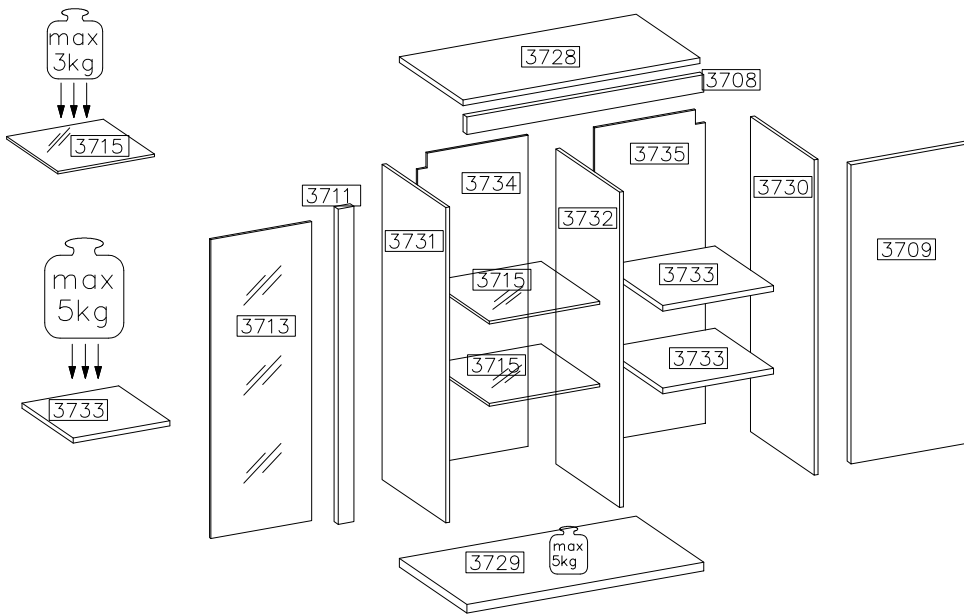
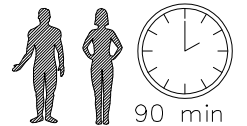
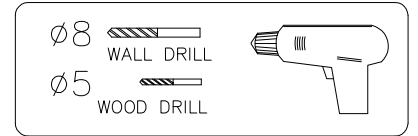
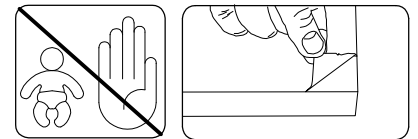
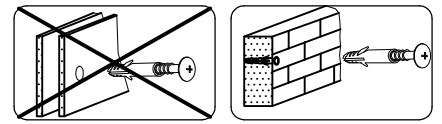
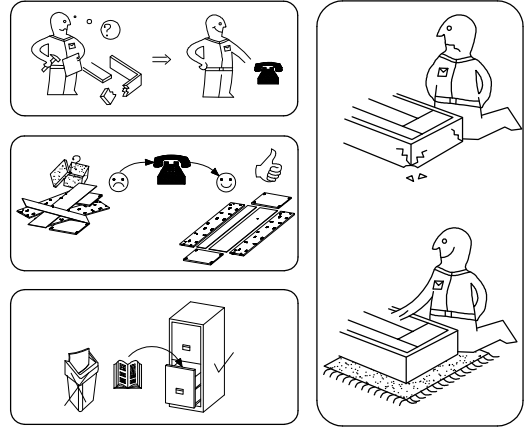


# CROWN X

## 10E4DG/DW10



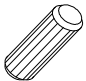

#	ART. NR	L	W	T	Q	Col.No
1	3709	1135	438	16	1	1
2	3728	870	360	16	1	1
3	3729	870	380	22	1	1
4	3730	1197	360	16	1	1
5	3731	1197	360	16	1	1
6	3732	1197	341	16	1	1
7	3733	411	330	16	2	1
8	3715	410	330	16	2	1
9	3708	870	70	19	1	1
10	3711	1135	70	16	1	1
11	3734	426	1212	2,5	1	1
12	3735	426	1212	2,5	1	1
13	3713	1135	376	4	1	1

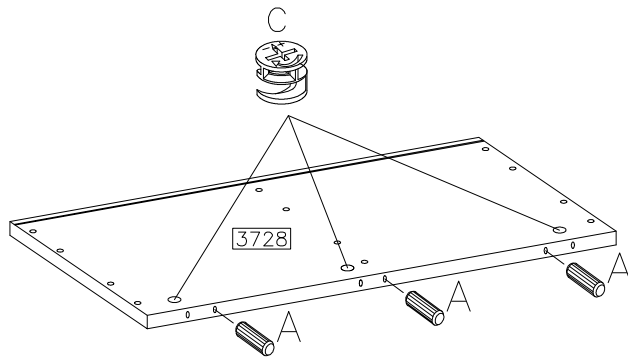


Ø8x30mm A 15	Ø15/12mm B 6	C 9	D1 9	E 9	E1 6	K8 1KPL	F8 11	Ø3.0x16mm P1 11	Ø35/KR-0 G6 6	H=0 H4 6
J4 8	J5 10	O 1	Ø3.5x30mm P4 4	Ø5.0x13mm P9 12	S1 2	M4.0x22mm R2 2	M4.0x12mm R3 2	Ø8 J8 5	Ø6 J9 2	Ø4.0x16mm P8 5
						Ø8.0x50mm Z1 4	K9 2	L 10	V1 1	V2 2

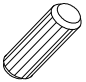




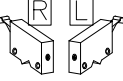


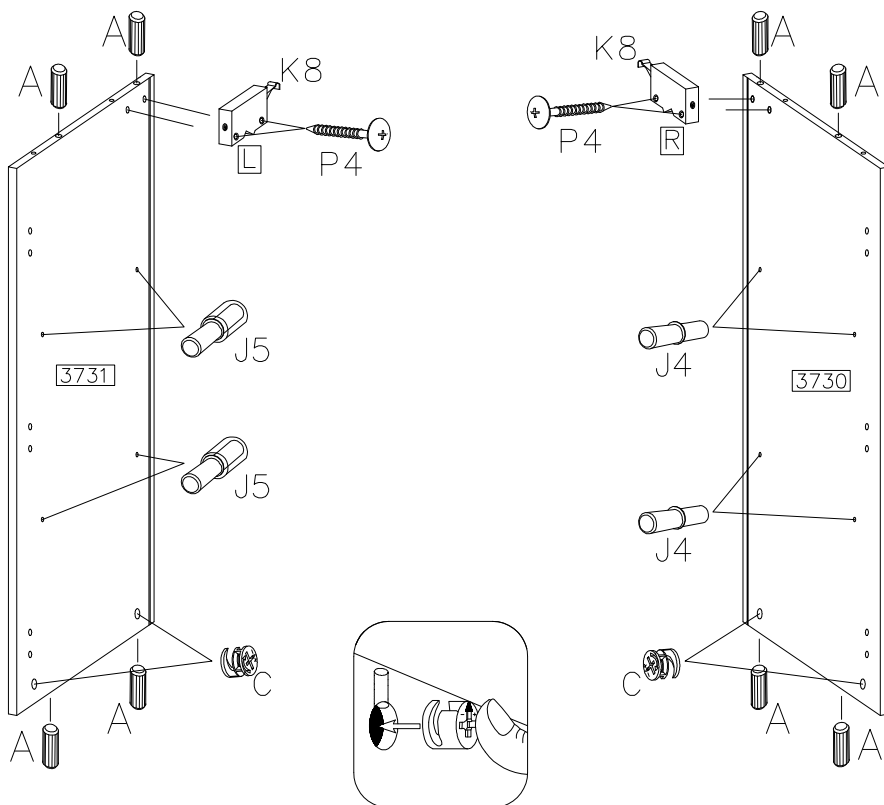
1

$\varnothing 8 \times 30 \text{mm}$  A	$\varnothing 15 / 12 \text{mm}$  C
3	3




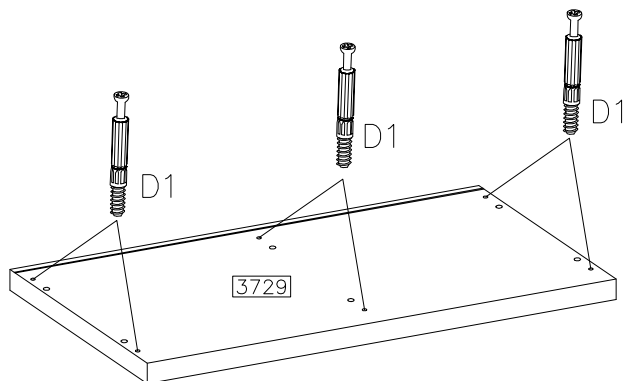
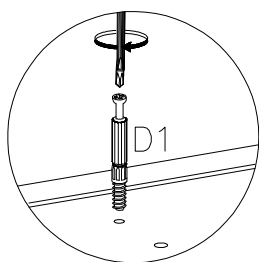
2

$\varnothing 8 \times 30 \text{mm}$  A	8
$\varnothing 15 / 12 \text{mm}$  C	 J4
4	4
 J5	$\varnothing 3.5 \times 30 \text{mm}$  P4
4	4
 K8	1KPL



3

 D1
6



4

ø8x30mm



A

4

ø15/12mm



C

2



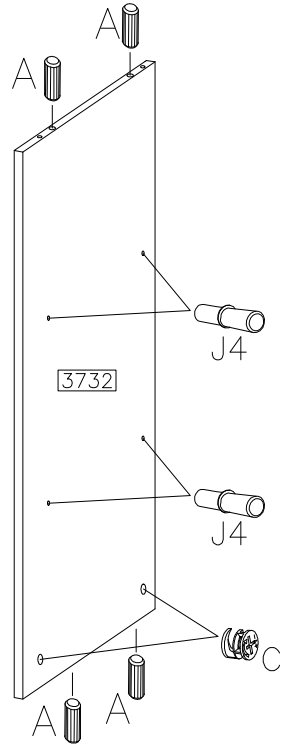
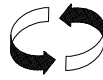
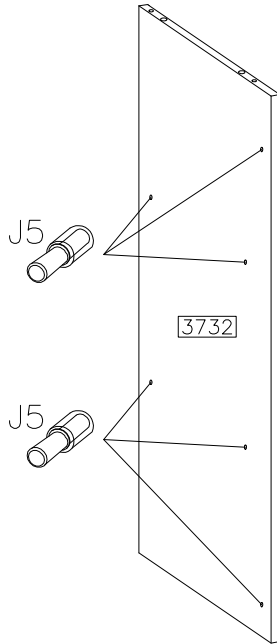
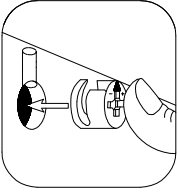
J4

4



J5

6

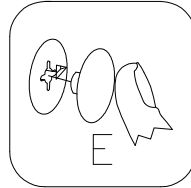
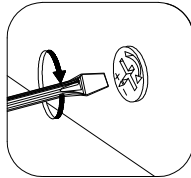


5

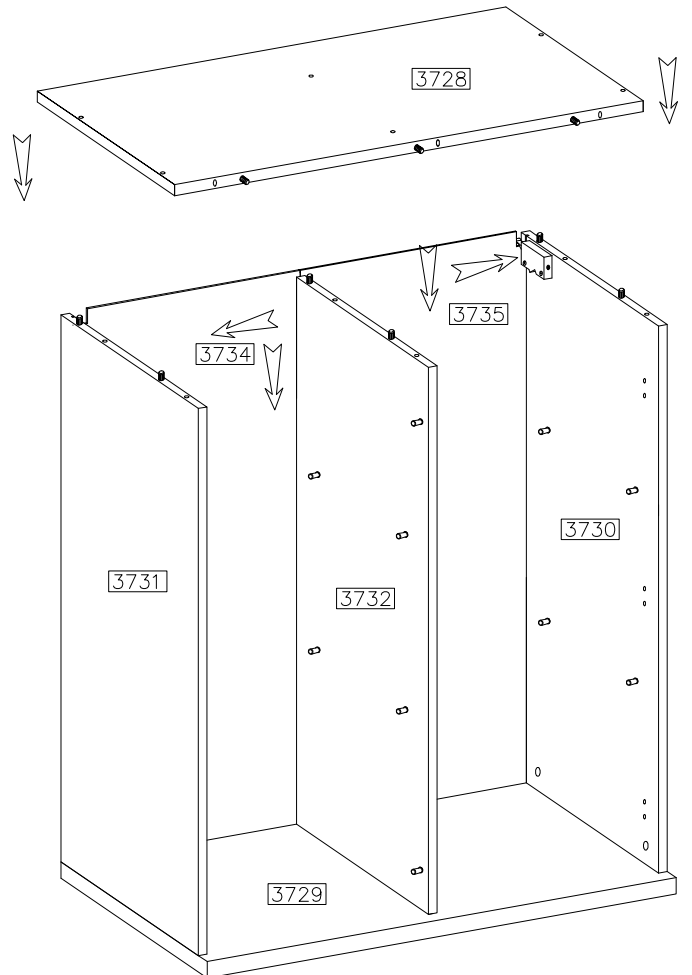
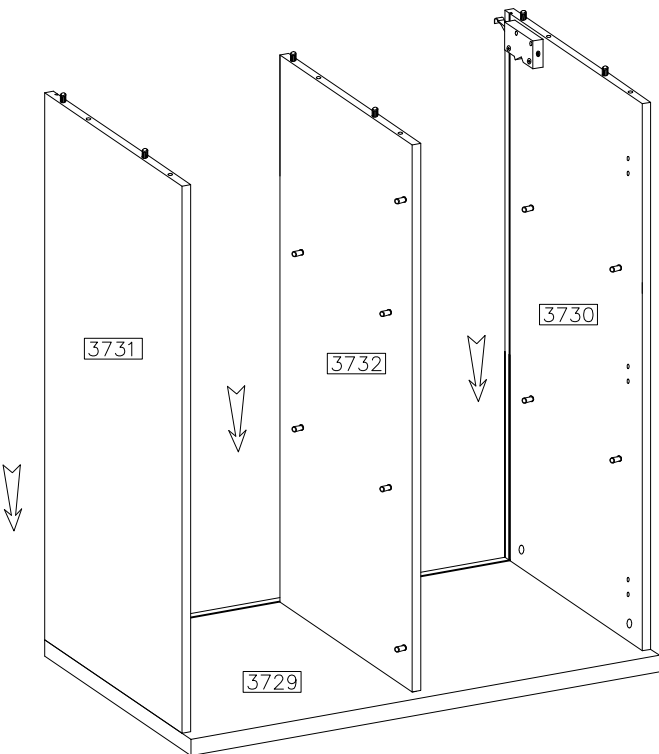


E

6



6



7



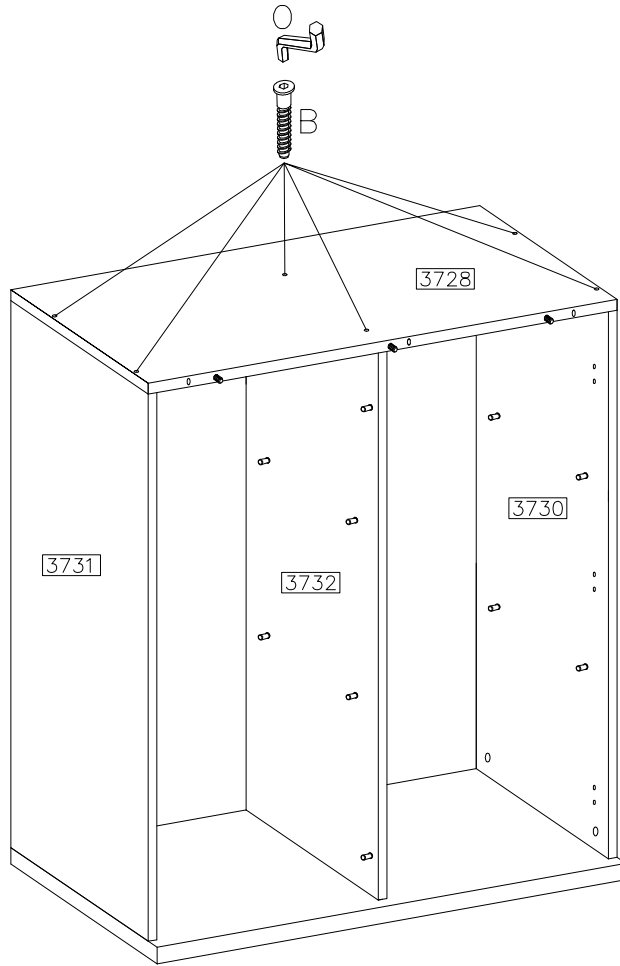
B

6



E1

6



8



F8

11

∅3.0x16mm



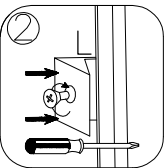
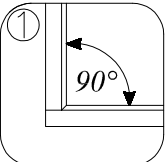
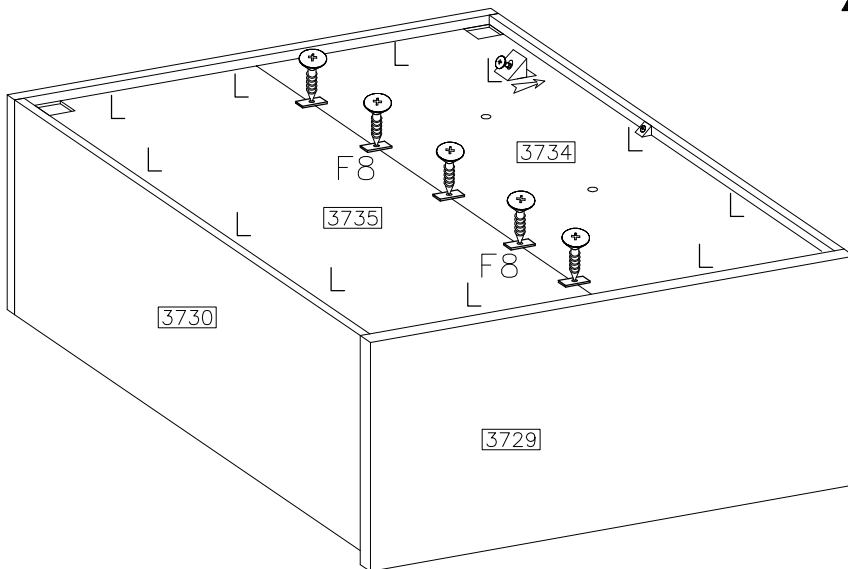
P1

11

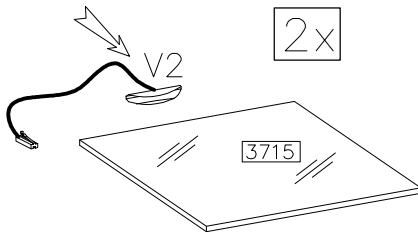
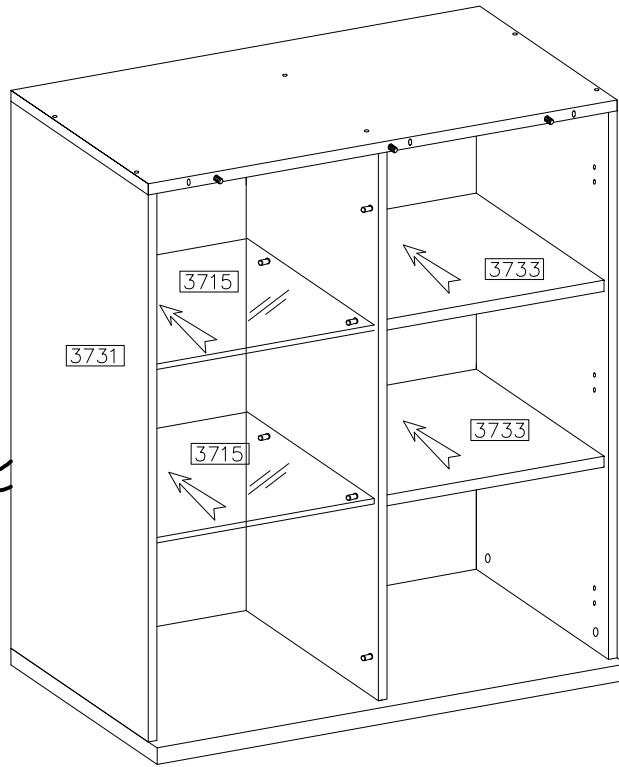
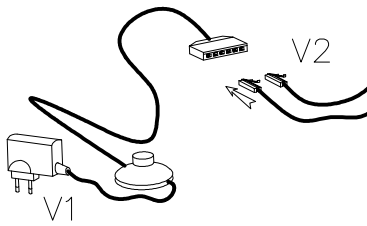
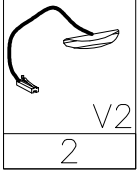
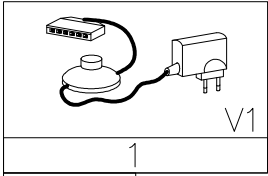


L

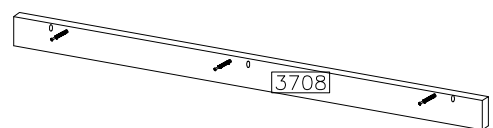
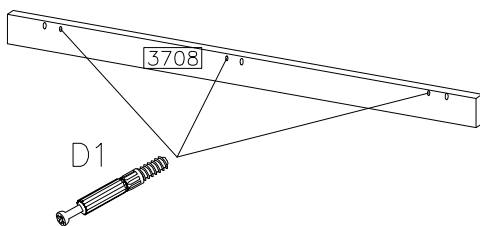
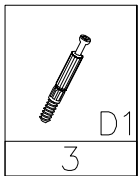
10



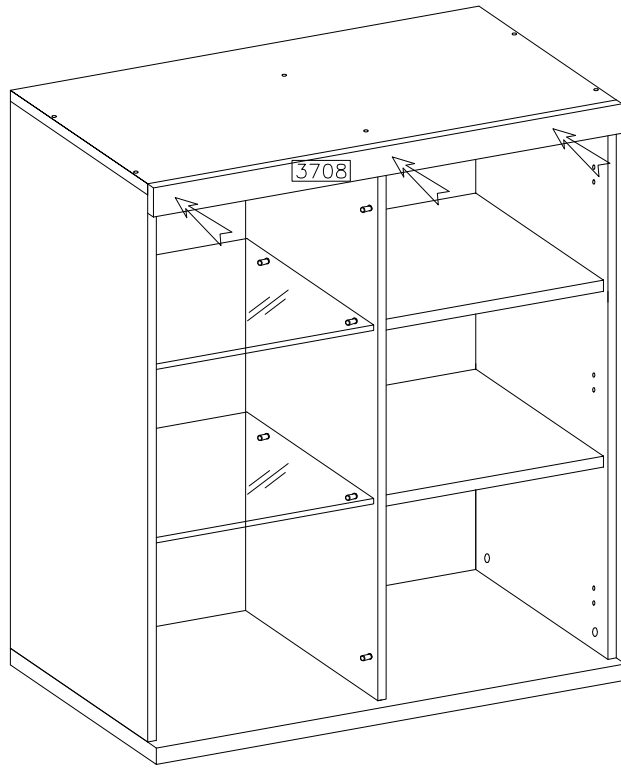
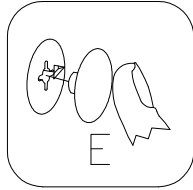
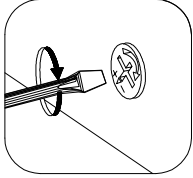
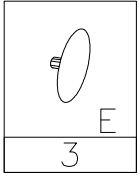
9



10



11



12

5.0x13mm



P9

6

M4.0x22mm



R2

S1

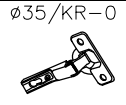
1



H4

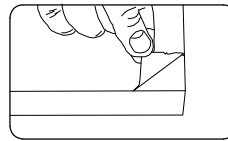
3

2

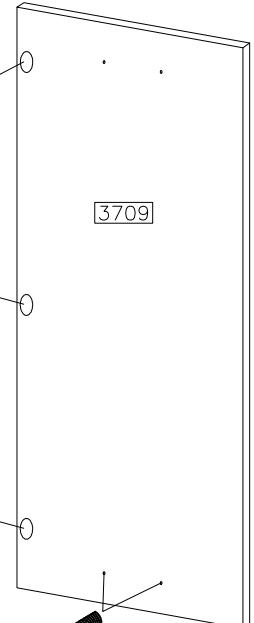
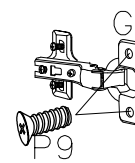
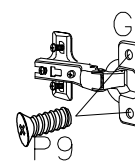
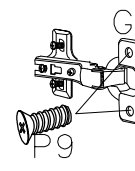
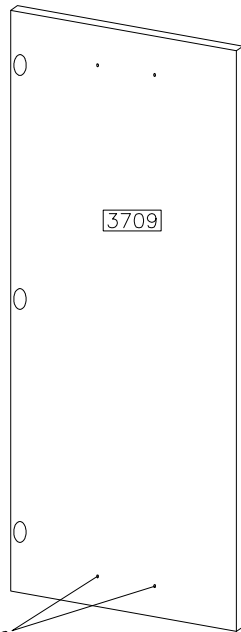
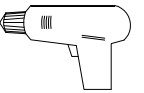


G6

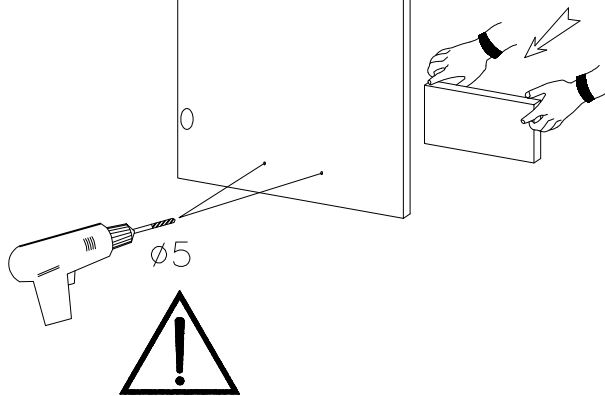
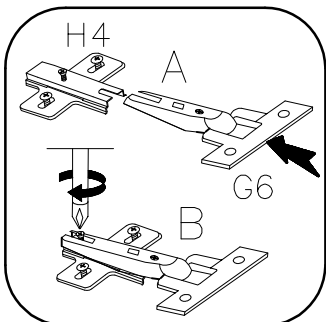
3



Ø5  
WOOD DRILL






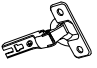



S1

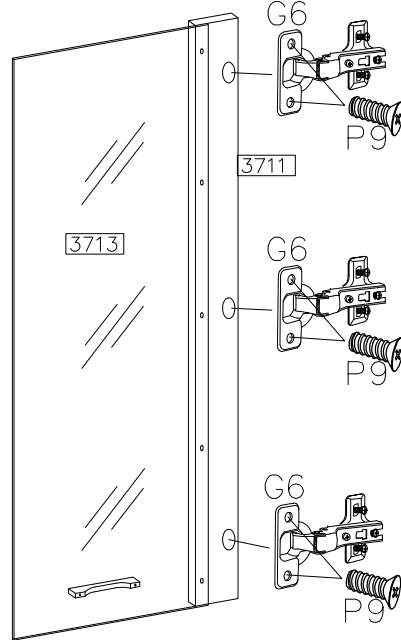
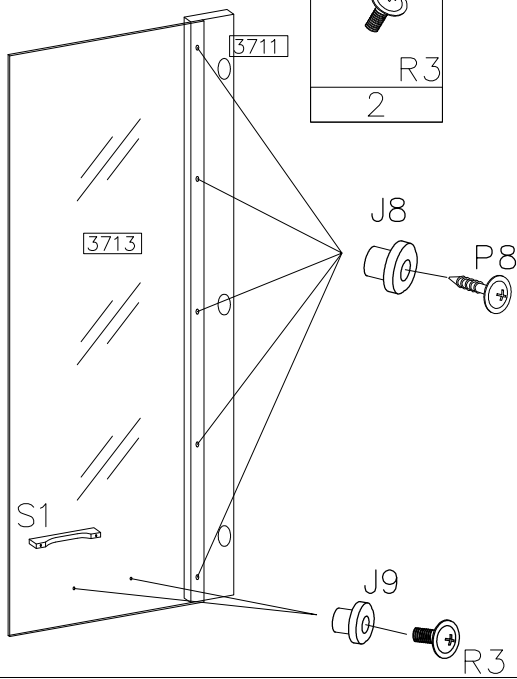
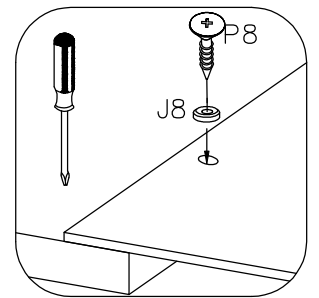
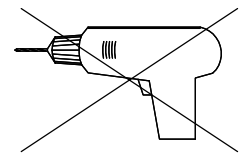
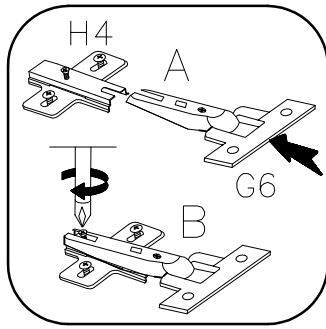


Ø5

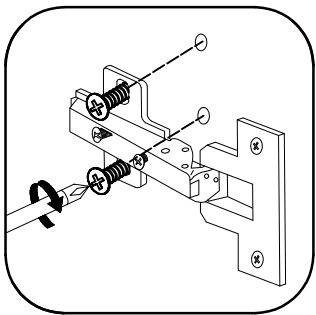
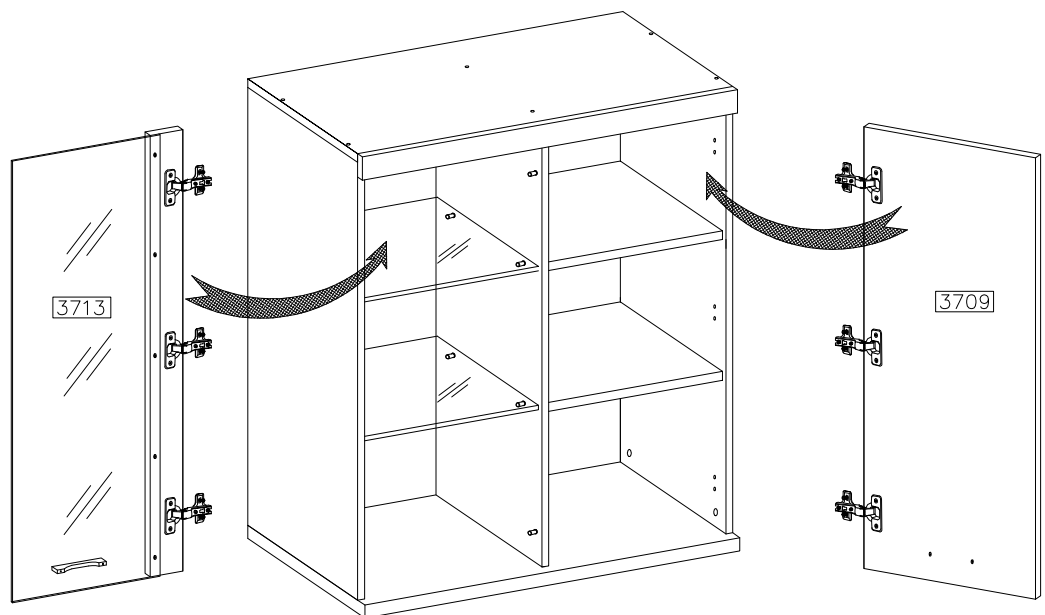


13

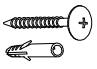
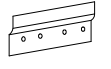
$\varnothing 8$  J8 5	$\varnothing 6$  J9 2	$\varnothing 4.0 \times 16 \text{mm}$  P8 5
$\varnothing 35 / \text{KR}-0$  G6 3	$H=0$  H4 3	 S1 1
$M4.0 \times 12 \text{mm}$  R3 2		

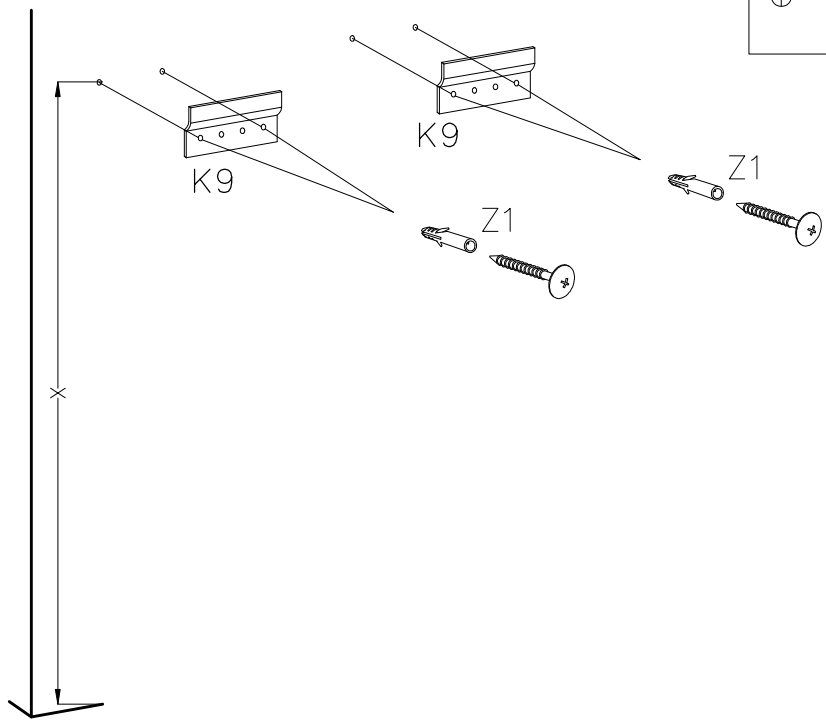
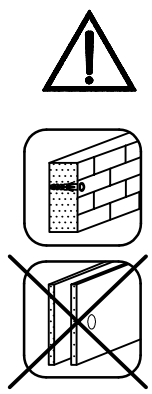
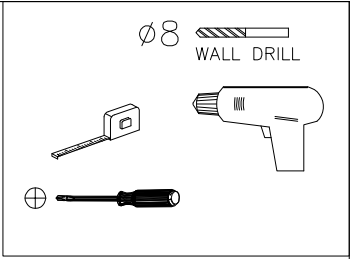


14



15

$\varnothing 8.0 \times 50 \text{mm}$  Z1 4	 K9 2
---	--



16

